

MS 5716RU-M1

16 Channel Scanner
with inbuilt Data logger
and Modbus Facility



TECH SPECS

Dimension (HxWxD) mm		192 x 96 x 165
Panel Cutout (mm)		188 x 92
Input	Thermocouple	J / K
	RTD	PT-100 2Wire / 3Wire
	Analog	0-10V DC / 0-20mA DC / 4-20mA DC (Configurable)
Range		J: 400° C, K: 1200° C Pt100 : -99° C to 400° C Pt.1: -99.9° C to 400.0° C Analog : -999 to 9999
Output		Output 1: RS 485 RTU MODBUS (Optional) Output 2: 8 Relay With (Optional) Output 3: USB Data Logging (Optional)
Power Supply		100-250V AC (SMPS), 50/60 HZ 24V DC Available as per Requirement

APPLICATIONS

- Motor Protection
- Generator
- Monitoring & Protection
- Electrical Sub-station monitoring
- Metal and Mining applications
- Machine Condition Monitoring
- Gas Detection
- Laboratory Equipment Monitoring

Technical Specifications

Display

PV	0.70" Red LED 4 Digit
Channel Number and Relay Status	0.50" Green LED 4 Digit
LED Indications	Status of each relay and Alarm

Input

ADC Resolution	12 bit
Display Resolution	Thermocouple : 1 °C RTD : 1 °C / 0.1 °C
Sampling Rate	250mS / Channel

Output

Relay

No of Relay	8
Type	NO - C Contact
Rating	5A @ 230V AC / 30V DC

Input Range

Input Type	Range
J	0 to 400
K	0 to 1200
Pt-100	-99 to 400
Pt.1	-99.0 to 400.0
0-10V DC	-999 to 9999
0-20mA DC	-999 to 9999
4-20mA DC	-999 to 9999

Communication(Optional)

Type	RS 485
Protocol	MODBUS RTU
Baud Rate	4800, 9600, 19200 (configurable)
Isolation	2500 V _{RMS} Isolation as per UL 1577

Power Supply

Standard	100 - 250V AC @ 50/60 Hz
Optional	24V DC
Consumption	11VA

Accuracy

J, K, PT-100, PT.1 0-10V DC, 0-20mA DC, 4-20mA DC	± 1 % FSD for J, K ± 0.5 % for Pt-100, Pt.1
CJC error	±2 °C
Sensor Open	All
T/C Burnout current	1.10uA
RTD excitation current	0.2mA
CMRR	> 120 db (Typical)
Input Impedance	> 1 MΩ
Max Voltage	20V DC

Data Logging (Optional)

Memory Type	Non Volatile (2Mb)
Data logging type	Periodic
RTC time format	DD/MM/YY HH:MM:SS
Sampling Time	1 Sec minimum (Programmable)
USB Port	1 (USB 2.0) Mass Storage
USB Function	For retrieving logged data only
Storage device format	FAT 32
Data fetch file format	.CSV (Microsoft Excel Supported)
Data retrieving option	Full data fetch
Periodic logging sample numbers	4000 max.
LED indication for memory full	After 75% memory occupied

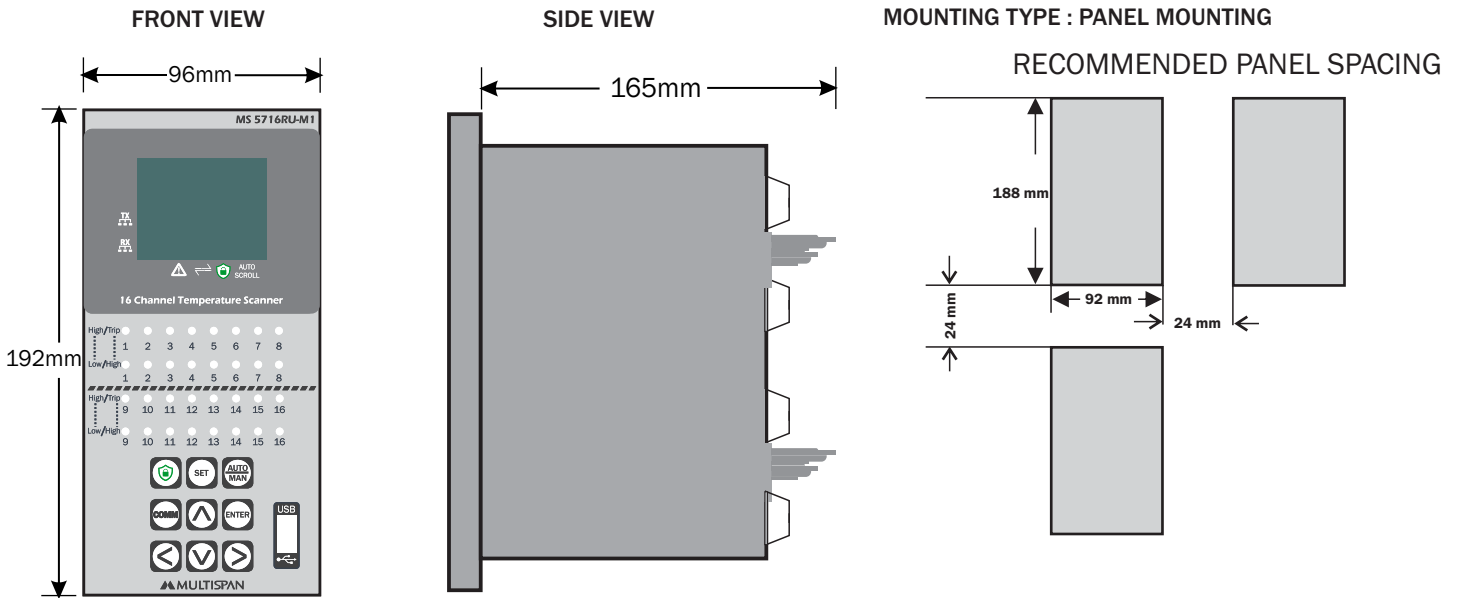
Keys

9 controlling keys for configuration, operation and controlling

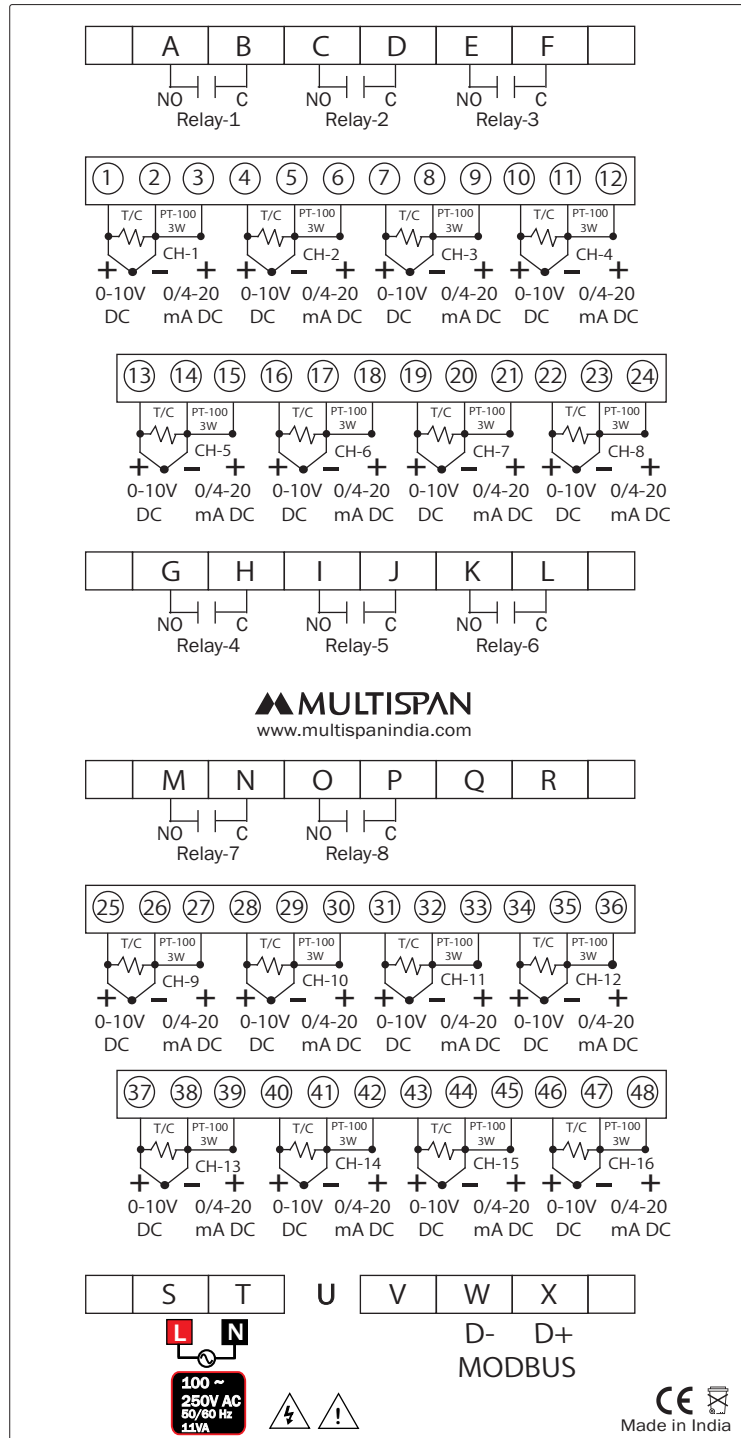
Environmental	
Operating Temperature	0 to 55°C
Storage Temperature	0 to 70°C
Humidity	95% RH Non-condensing
Protection	IP 65 (Front Side) not applicable for USB featured models.

Physical	
Enclosure	Metal
Weight	1.2 Kg
Color	Black
Front Bezel	192 x 96 x 165 mm
Panel cutout	188 X 92 mm
Depth behind panel	140 mm
Accessories	1 pair of Mounting clamp

Mechanical Dimension



Connection Diagram



Multispan reserves the right to change specifications without prior notice. Printing and typographical errors reserved.
Product improvement and upgrade is a constant procedure. So for more updated operating information & support contact us.

Multispan Control Instruments Pvt. Ltd.

72/B, Phase 1, GIDC Estate, Vatva, Ahmedabad-382445, Gujarat, India.

+91-7575805463/7623001206

support@multispanindia.com

Follow us



www.multispanindia.com